

# RECOM — High Power DC/DC LED Driver Module (RCD Series)

## RECOM — 大功率 DC/DC LED 驱动模块 (RCD 系列)

**PART NUMBER (型号)** RCD Series RCD系列

**SUPPLIER (供应商)**



### DESCRIPTION

The RCD family offers a variety of DC input LED driver modules with constant current output from 300mA up to 1.2Amps. The converters have a comprehensive specification, such as: high efficiency (up to 97%), wide input voltage range, very low output dropout voltage, 2 independent dimming options (PWM and 0-10 analogue), a design hours up to 600,000 hours, and 3 possible packages (through hole, wired and SMD).

### 描述

RCD系列产品提供具有300mA到1.2A恒流输出的各种DC输入LED驱动器模块。这些转换器的规格相当全面：高效率(高达97%)，宽输入电压范围、极低的输出压差、2个独立的调光选项(脉宽调制和0-10V模拟调光)、长达600,000小时的设计寿命，以及三种可能的封装(通孔插入式封装、引线封装和表面贴装)。

### PRODUCT FEATURES

- All in one! No need for external components
- 2 independent dimming options that can be used at the same time
- RCD-W suitable for outdoors/underwater applications (IP67)
- High efficiency
- First SMD DC LED driver module in the market! (RCD24/PL)
- Extremely low profile (only 6.6mm) - (RCD24/PL)
- Built-in Class A or Class B EMC filter (RCD24/PL)

### 产品特性

- 集多种功能于一体！无需外部元器件
- 2个可同时使用的独立调光管脚选项
- RCD-W适用于室外/水下应用(IP67)
- 高效率
- 市面上首款采用SMD封装的DC LED驱动器模块！(RCD24/PL)
- 极低的外形尺寸(仅6.6mm) - (RCD24/PL)
- 内置A级类或B级类EMC滤波器(RCD24/PL)

RECOM - High Power DC/DC LED Drivers (RCD)				
Part No. 产品编号	RCD24	RCD24-PL	RCD24-W	RCD24-OF
Power Range 输出功率	1 ~ 43W	1 ~ 25W	1 ~ 43W	1 ~ 25W
Voltage In 输入电压	4.5 ~ 36VDC	4.5 ~ 36VDC	4.5 ~ 36VDC	4.5 ~ 36VDC
Output Current 输出电流	300mA, 350mA, 500mA, 600mA, 700mA, 1000mA, 1200mA	300mA, 350mA, 500mA, 600mA, 700mA	300mA, 350mA, 500mA, 600mA, 700mA, 1000mA, 1200mA	300mA, 350mA, 500mA, 600mA, 700mA
Voltage Out 输出电压	2 ~ 35V	2 ~ 35V	2 ~ 35V	2 ~ 35V
Dimming 调光	PWM and 0-10 Analogue	PWM and 0-10 Analogue	PWM and 0-10 Analogue	PWM and 0-10 Analogue
Mounting 组装方式	Through Hole (Pins)	Surface Mount Pinless	Flying Leads	Open Frame SMD
Other Features 其他特性	97% Efficiency Size: 22.1 x 12.55 x 8.5mm	Class A or Class B EMC filter built-in Size: 31 x 11.4 x 6.6mm	IP67 Rated Size: 22.1 x 12.55 x 8.5mm	Size: 21 x 11.4 x 10mm

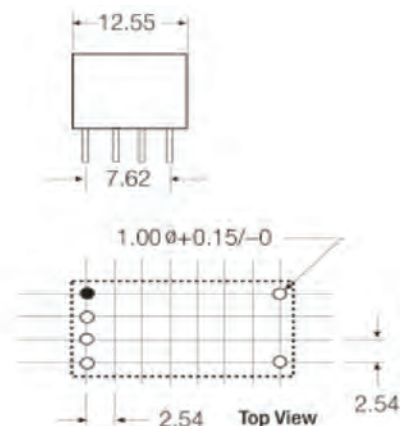
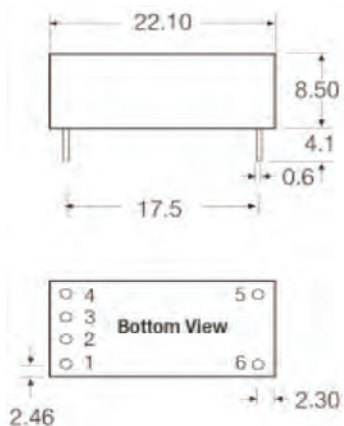
### TARGET APPLICATION

- Architectural lighting
- Decorative lighting
- Theatrical lighting (stage lighting)
- LED displays
- Outdoor lighting
- Freezer lighting
- Underwater and marine applications
- Backlight LED
- Solar powered lighting
- Landscape lighting
- Fluorescent replacement
- Cabinet lighting

### 应用目标

- 建筑照明
- 装饰照明
- 剧场照明(舞台照明)
- LED显示
- 户外照明
- 冰箱照明
- 水下应用和航海应用
- 背光LED
- 太阳能照明
- 景观照明
- 荧光灯的替代
- 橱柜照明

### PACKAGE DIMENSION (封装尺寸) - RCD24



**PART NUMBER (型号)** RACD Series RACD系列

**SUPPLIER (供应商)**



**DESCRIPTION**

Introducing a new family of low power AC input LED driver, the RACD series. RECOM is offering a low cost solution to the low power Solid State Lighting. The family includes modules of 3W, 6W, 12W and 20W in different packages capable of driving up to 15 high brightness LED. Building an LED lamp has never been easier!

**描述**

推出新型低功率AC输入LED驱动器家族产品—RACD系列。RECOM将为低功率固态照明提供低成本解决方案。该家族产品包括采用不同封装、可驱动多达15个高亮度LED的3W、6W、12W和20W模块。做一个LED灯变得前所未有的简单！

**PRODUCT FEATURES**

- Constant current outputs of 350mA, 500mA, 700mA
- Universal AC input
- Power factor corrected
- 3kVAC HV isolation
- Fused input and protected output
- Input and output screw terminals
- Additional 5.5mm socket output connection (RACD12/20)
- 70,000 hours of design lifetime
- Meets UL8750, UL1310, EN61347 and EN55015 (RACD12/20)

**产品特性**

- 350mA、500mA、700mA的恒流输出
- 通用AC输入
- 功率因子校正
- 3kVAC高压隔离
- 具有输入端保险丝和输出端保护熔式输入和保护输出
- 输入和输出螺丝端子
- 额外的5.5毫米插座输出连接(RACD12/20)
- 70,000小时的设计寿命
- 符合UL8750、UL1310、EN61347和EN55015标准(RACD12/20)

RECOM - Low Power AC Input LED Driver (RACD Series)				
Part No. 产品编号	RACD03	RACD06	RACD12	RACD20
Power Range 输出功率	3W	6W	12W	20W
Voltage In 输入电压	90-264VAC	90-264VAC	90-264VAC	90-264VAC
Output Current 输出电流	350mA, 700mA	350mA, 700mA	350mA, 500mA, 700mA	350mA, 500mA, 700mA
Voltage Out 输出电压	3 ~ 12V, 3 ~ 6V	3 ~ 21V, 3 ~ 8.5V	3 ~ 36V, 3 ~ 24V, 3 ~ 15V	3 ~ 56V, 3 ~ 40V, 3 ~ 29V
Dimming 调光	None	None	None	None
Mounting 组装方式	Flying Leads	Screw Terminal	Screw Terminal + Socket	Screw Terminal + Socket
Other Features 其他特性	Low Cost, UL-8750, EN 61347 Certified Size: 39 x 30 x 20mm	Low Cost, UL-8750, EN 61347 Certified Size: 58 x 35 x 21mm	PFC, UL-8750, EN 61347 Certified Size: 123 x 45 x 18mm	PFC, UL-8750, EN 61347 Certified Size: 145 x 50 x 22mm

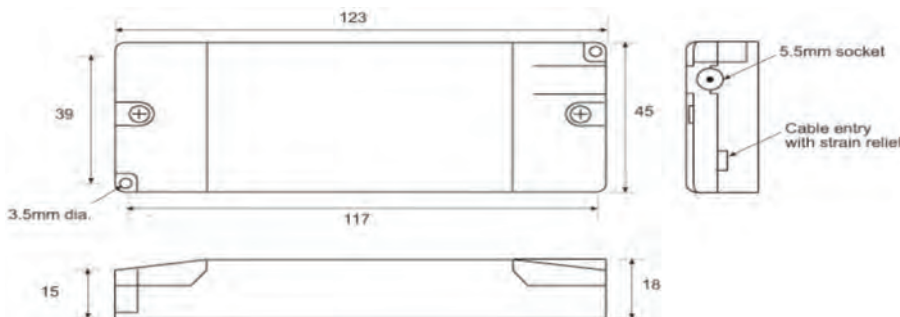
**TARGET APPLICATION**

- Indoor lighting
- Decorative lighting
- Cabinet lighting
- Desk lamps
- Recessed lighting
- Freezer lighting
- Single fluorescent replacement
- Landscape lighting
- Cree MPL applications (RACD12)
- Theatrical lighting

**应用目标**

- 室内照明
- 装饰照明
- 橱柜照明
- 桌灯
- 嵌灯
- 冰箱照明
- 单管荧光灯的替代
- 景观照明
- Cree MPL应用(RACD12)
- 剧场照明

**PACKAGE DIMENSION (封装尺寸) - RACD12**



# RECOM — High Power AC Input LED Driver Module (RACD60 Series)

## RECOM — 大功率 AC 输入 LED 驱动模块 (RACD60 系列)

**PART NUMBER (型号)** RACD60 Series RACD60系列

**SUPPLIER (供应商)**



### DESCRIPTION

The RACD60 series is RECOM's first high power AC input LED driver module. It has been designed to meet the requirements of the newest and brightest LEDs in the market. With an adjustable output current from 700mA up to 4.2Amps, the RACD60 can drive almost any LED in the market. The dimensions of the package, only 4"x2", makes it one of the smallest 60Watts AC input LED drivers in the industry.

### 描述

RACD60系列是RECOM首款大功率AC输入LED驱动器模块。该系列被设计成满足市场上最新最亮LED的要求。RACD60系列具有700mA到4.2A的可调输出电流，可用于驱动市场上几乎所有的LED。封装尺寸仅4"x2"，是业界最小的60W AC LED驱动器之一。

### PRODUCT FEATURES

- Universal AC input
- Dual mode CV and CC
- Adjustable current limit
- Constant current up to 4.2Amps
- Power factor corrected
- High efficiency
- 70,000 hours of design lifetime
- Ultra compact package (4"x2")
- IP67 Optional

### 产品特性

- 通用AC输入
- 双模CV和CC
- 可调电流限制
- 高达4.2A的恒流
- 功率因子校正
- 高效率
- 70,000小时的设计寿命
- 超小型封装(4"x2")
- IP67可选

RECOM - High Power AC LED Driver (RACD60 Series)					
Part No. 产品编号	RACD60-4200	RACD60-2400	RACD60-1400	RACD60-1050	RACD60-700
Power Range 输出功率	60W	60W	60W	60W	45W
Voltage In 输入电压	90 ~ 264VAC	90 ~ 264VAC	90 ~ 264VAC	90 ~ 264VAC	90 ~ 264VAC
Current Adj. 输出电流范围	3570 ~ 4200mA	1700 ~ 2500mA	1400 ~ 2140mA	825 ~ 1250mA	700 ~ 850mA
Voltage Out 输出电压	11 ~ 13.5V	17 ~ 24V	19 ~ 28V	33.5 ~ 48V	38 ~ 54V
Preset Current 设定输出电流	4200mA	2400mA	1400mA	1050mA	700mA
Mounting 组装方式	Open Frame	Open Frame	Open Frame	Open Frame	Open Frame
Other Features 其他特性	PFC>0.9, 85% Efficiency Size: 101.6 x 50.8 x 28mm	PFC>0.9, 87% Efficiency Size: 101.6 x 50.8 x 28mm	PFC>0.9, 89% Efficiency Size: 101.6 x 50.8 x 28mm	PFC>0.9, 89% Efficiency Size: 101.6 x 50.8 x 28mm	PFC>0.9, 89% Efficiency Size: 101.6 x 50.8 x 28mm

### TARGET APPLICATION

- Outdoor lighting
- Downlights
- Parking lighting
- Street lighting
- Pendant lighting
- Landscape
- Fluorescent replacement
- Panel replacements
- Theatrical lighting

### 应用目标

- 室外照明
- 筒灯
- 位置灯
- 街灯
- 吊灯
- 景观照明
- 荧光灯的替代
- 面板的替代
- 剧场照明

### PACKAGE DIMENSION (封装尺寸) - RACD60

